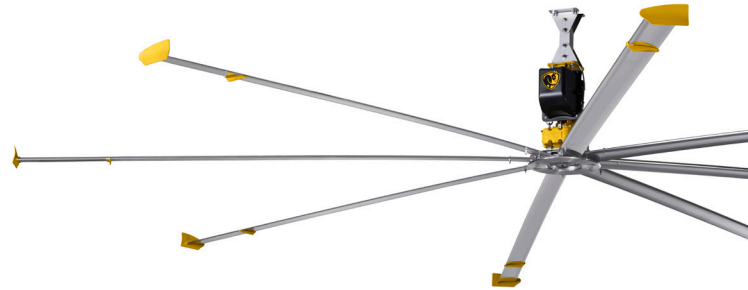


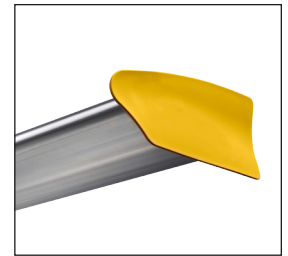
Powerfoil[®]X3.0, our biggest, most powerful industrial fan, features a patented system of airfoils and winglets, setting the world standard for airflow. And now it comes standard with SmartSense technology.

IT'S BIG. IT'S BAD. IT MOVES A TON OF AIR.

- **SmartSense Technology** — Automatically adjusts fan speed based on user settings and a remote temperature sensor.
- **Airfoils** — Eight patented Powerfoil airfoils (mill finish) with eight patent-pending AirFences.
- **Winglets** — Powerfoil winglets eliminate wind noise (safety yellow).
- **Motor and Gearbox** — IP55 motor and NitroSeal[®] Drive gearbox (STÖBER[®]); fully sealed drive enclosure resists corrosion and reduces heat buildup for longer life.
- **Onboard VFD** — Housed in an ABS/PVC-based enclosure with built-in heatsink; virtually eliminates RFI and EMI noise.
- **Functional Platform** — Integrate lights, security cameras, speakers, or just about anything else you can imagine.
- **Mounting Options** — Standard upper mount installs to I-beams and angle iron; optional kits allow for mounting to large I-beams, solid beams, Z-purlins, and pitched roofs.
- **Safety Features** — Airfoil retainers, hub clips, safety cables, Grade 8 bolts, fire relay (must be wired during install if required by local code).
- **Colors** — Standard colors for Powerfoil X3.0 are silver and yellow. Want something different? You can individualize your fan with one of our 11 classic color upgrades, or work with our design consultants to create a shade that's all your own.



Onboard VFD and NitroSeal Drive Gearbox



Powerfoil Winglet

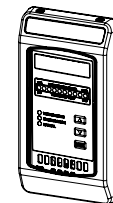
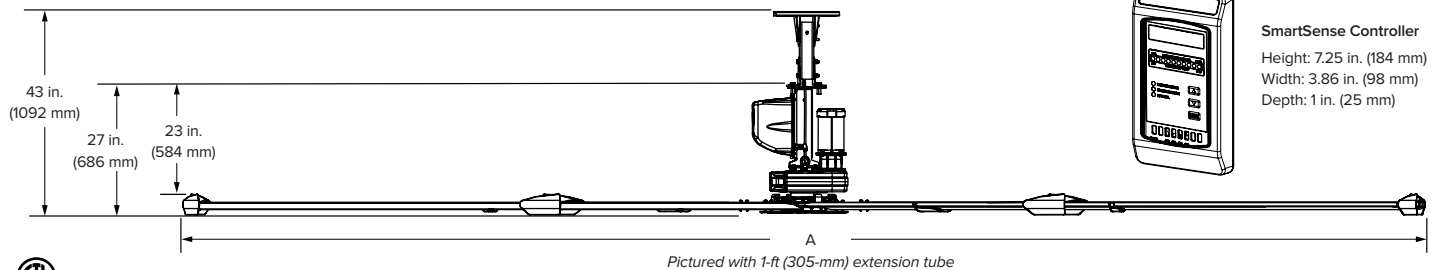
Technical Specifications

Fan	Diameter (A)	Weight ¹	Max speed	Airfoil clearances ²	Input power and required breaker	Motor horsepower	Sound at max speed ³
PFX3-08	8 ft (2.4 m)	222 lb (101 kg)	197 RPM	2 ft (0.6 m) on sides 4 ft (1.2 m) below ceiling	200–240 VAC, 50/60 Hz, 1 Φ, 20 A 200–240 VAC, 50/60 Hz, 3 Φ, 10 A 400–480 VAC, 50/60 Hz, 3 Φ, 10 A	1.0 hp (0.75 kW)	< 55 dBA
PFX3-10	10 ft (3 m)	231 lb (105 kg)	160 RPM		200–240 VAC, 50/60 Hz, 1 Φ, 30 A 200–240 VAC, 50/60 Hz, 3 Φ, 20 A 400–480 VAC, 50/60 Hz, 3 Φ, 10 A		
PFX3-12	12 ft (3.6 m)	245 lb (111 kg)	139 RPM	2 ft (0.6 m) on sides	200–240 VAC, 50/60 Hz, 1 Φ, 30 A 200–240 VAC, 50/60 Hz, 3 Φ, 20 A	1.5 hp (1.1 kW)	
PFX3-14	14 ft (4.3 m)	254 lb (115 kg)	118 RPM	5 ft (1.5 m) below ceiling			
PFX3-16	16 ft (4.9 m)	264 lb (120 kg)	99 RPM	2 ft (0.6 m) on sides	400–480 VAC, 50/60 Hz, 3 Φ, 10 A	2.0 hp (1.5 kW)	
PFX3-18	18 ft (5.5 m)	281 lb (127 kg)	88 RPM	6 ft (1.8 m) below ceiling			
PFX3-20	20 ft (6.1 m)	290 lb (132 kg)	78 RPM	2 ft (0.6 m) on sides	575–600 VAC, 50/60 Hz, 3 Φ, 10 A		
PFX3-24	24 ft (7.3 m)	347 lb (157 kg)	65 RPM	7 ft (2.1 m) below ceiling			

¹Weight does not include mount or extension tube.

²Measure the distance from the tip of the winglet to the ceiling or major obstruction.

³Fans are sound tested at maximum speed in a laboratory environment. Actual results in field conditions may vary due to sound reflecting surfaces and environmental conditions.



SmartSense Controller
Height: 7.25 in. (184 mm)
Width: 3.86 in. (98 mm)
Depth: 1 in. (25 mm)



Certified to UL 507 and CSA C22.2

Lead times may vary.
See full warranty for coverage information.
Specifications subject to change without notice.



AMERICAS
BIGASSOLUTIONS.COM
877-244-3267

CANADA
BIGASSOLUTIONS.COM/CA
844-924-4277

AUSTRALIA
BIGASSOLUTIONS.COM/AU
1-300-244-277

SINGAPORE
BIGASSOLUTIONS.COM/SG
+65 6709 8500

MALAYSIA
+603 5565 0888

Powerfoil X3.0 Plus

TECHNICAL SPECIFICATIONS

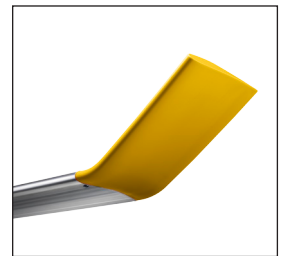
Powerfoil[®] X3.0 Plus, our biggest, most powerful industrial fan, features a patented system of airfoils and winglets, setting the world standard for airflow. And now it comes with a brain, also known as SmartSense technology.

IT'S BIG. IT'S BAD. IT MOVES A TON OF AIR.

- **SmartSense Technology** — Automatically adjusts fan speed based on user settings and a remote temperature sensor.
- **Airfoils** — Eight patented Powerfoil airfoils (mill finish) with eight patent-pending AirFences.
- **Winglets** — Powerfoil Plus winglets push air at an angle, moving it over and around obstructions (safety yellow).
- **Motor and Gearbox** — IP55 motor and NitroSeal[™] Drive gearbox (STÖBER[®]); fully sealed drive enclosure resists corrosion and reduces heat buildup for longer life.
- **Onboard VFD** — Housed in an ABS/PVC-based enclosure with built-in heatsink; virtually eliminates RFI and EMI noise.
- **Functional Platform** — Integrate lights, security cameras, speakers, or just about anything else you can imagine.
- **Mounting Options** — Standard upper mount installs to I-beams and angle iron; optional kits allow for mounting to large I-beams, solid beams, Z-purlins, and pitched roofs.
- **Safety Features** — Airfoil retainers, hub clips, safety cables, Grade 8 bolts, fire relay (must be wired during install if required by local code).
- **Colors** — Standard colors for Powerfoil X3.0 Plus are silver and yellow. Want something different? You can individualize your fan with one of our 11 classic color upgrades, or work with our design consultants to create a shade that's all your own.



Onboard VFD and NitroSeal Drive Gearbox



Powerfoil Plus Winglet

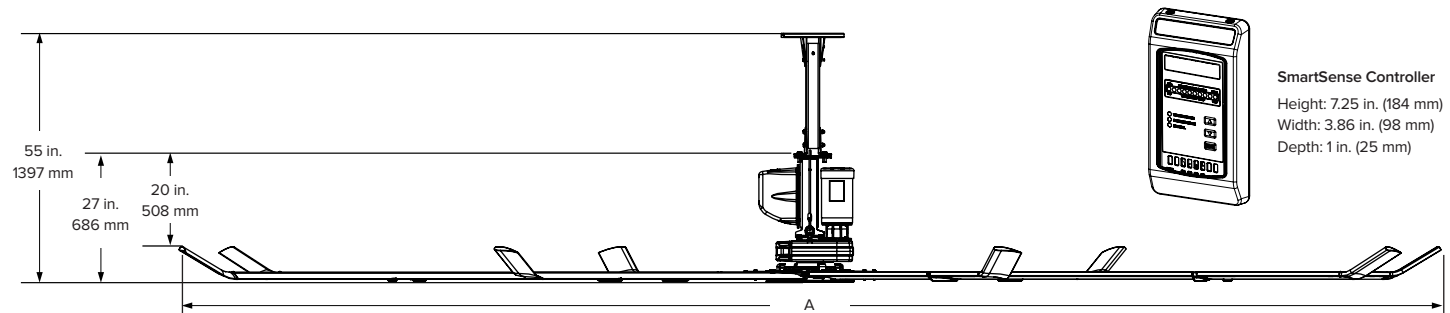
Technical Specifications

Fan	Diameter (A)	Weight ¹	Max speed	Airfoil clearances ²	Motor horsepower	Input power and required breaker	Sound at max speed ³
PPX3-10	12 ft (3.7 m)	240 lb (109 kg)	140 RPM	2 ft (0.6 m) on sides 5 ft (1.5 m) below ceiling	1.5 hp (1.1 kW)	200–240 VAC, 50/60 Hz, 1 Φ, 30 A 200–240 VAC, 50/60 Hz, 3 Φ, 20 A 400–480 VAC, 50/60 Hz, 3 Φ, 10 A 575–600 VAC, 50/60 Hz, 3 Φ, 10 A	< 55 dBA
PPX3-12	14 ft (4.3 m)	249 lb (113 kg)	118 RPM	2 ft (0.6 m) on sides			
PPX3-14	16 ft (4.9 m)	259 lb (117 kg)	99 RPM	6 ft (1.8 m) below ceiling			
PPX3-16	18 ft (5.5 m)	276 lb (125 kg)	89 RPM	2 ft (0.6 m) on sides	2.0 hp (1.5 kW)		
PPX3-18	20 ft (6.1 m)	285 lb (129 kg)	78 RPM	7 ft (2.1 m) below ceiling			
PPX3-20	22 ft (6.7 m)	334 lb (152 kg)	70 RPM	2 ft (0.6 m) on sides			
PPX3-24	24 ft (7.3 m)	343 lb (156 kg)	62 RPM	8 ft (2.4 m) below ceiling			

¹ Weight does not include mount or extension tube.

² Measure the distance from the tip of the winglet to the ceiling or major obstruction.

³ Fans are sound tested at maximum speed in a laboratory environment. Actual results in field conditions may vary due to sound reflecting surfaces and environmental conditions.



Pictured with 2-ft (609-mm) extension tube



Lead times may vary.
See full warranty for coverage information.
Specifications subject to change without notice.



AMERICAS
BIGASSOLUTIONS.COM
877-244-3267

CANADA
BIGASSOLUTIONS.COM/CA
844-924-4277

AUSTRALIA
BIGASSOLUTIONS.COM/AU
1-300-244-277

SINGAPORE
BIGASSOLUTIONS.COM/SG
+65 6709 8500

MALAYSIA
+603 5565 0888