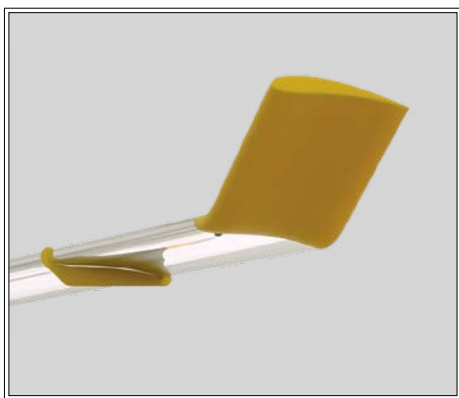


# Powerfoil® X2.0

So durable, you'll retire before it does.



The Powerfoil X2.0 Plus winglets create deeper jets of air, sending airflow over and around floor obstructions. Patent-pending AirFences optimize circulation by redirecting air traveling across the foils.

Big Ass Fans® engineers designed and thoroughly tested the Powerfoil X2.0 to provide the most reliable air movement solution ever built for large spaces. The Powerfoil X2.0 provides comfort and energy savings year-round and is so dependable, we back it with an unprecedented 15-year, nonprorated warranty with our factory certified installation in the US and Canada.

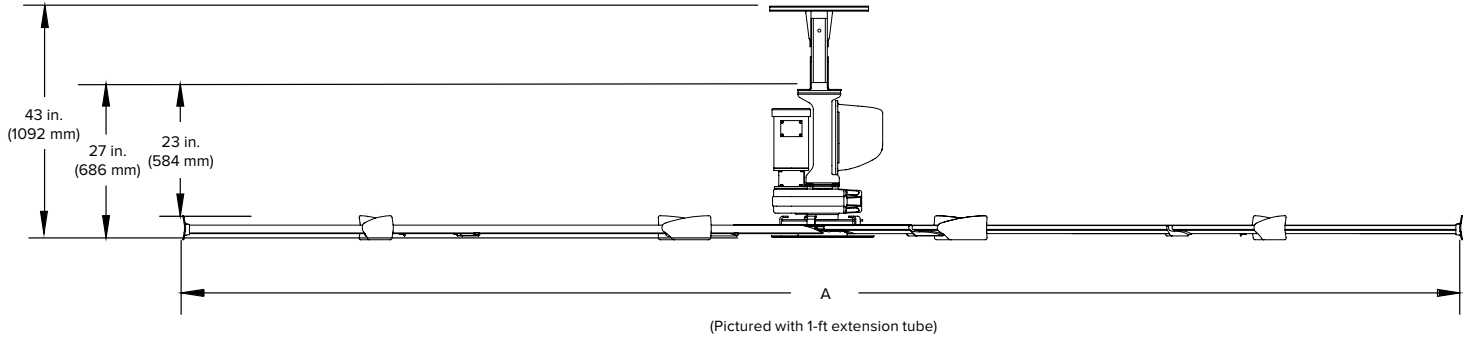
## Features and Benefits

- Patented system of 10 airfoils, Powerfoil winglets and AirFence(R) technology sets the world standard for airflow. In summer, Powerfoil X2.0 creates a cooling effect of up to 10°F (5.6°C). In winter, Powerfoil X2.0 gently pushes down warm air trapped at ceilings, resulting in up to 30% savings on heating costs.
- NitroSeal drive gearbox is hermetically sealed for life and nitrogen-filled for zero moisture, contamination and maintenance.
- Patent-pending hub system features machine-cut precision components for a uniform load distribution that promotes overall longevity and durability.
- Onboard VFD virtually eliminates RFI and EMI noise.
- Fully-sealed drive enclosure ensures maximum durability, resists corrosion and reduces heat buildup for longer life.
- Wall-mounted keypad provides 100% control of an unlimited number of fans, troubleshooting and parameter adjustment from floor.
- Functional platform enables users to integrate options such as LED lights and cameras.
- Standard, power-on shutdown fire relay for seamless fire control panel integration.
- Entire fan is ETL certified to UL 507/CSA C22.2 No. 113, ensuring that your fan meets North American safety requirements.



# Powerfoil X2.0

## TECHNICAL SPECIFICATIONS



### Technical Specifications

Model	Powerfoil X2.0							
Number and type of airfoils	10 patented Powerfoil airfoils and winglets 10 patent-pending AirFences							
Airfoil finish	Mill finish aluminum							
Winglet (standard color)	Powerfoil winglet (safety yellow)							
Fan diameter (A)	8 ft	10 ft	12 ft	14 ft	16 ft	18 ft	20 ft	24 ft
Fan weight <sup>1</sup>	218 lb (99 kg)	231 lb (105 kg)	241 lb (109 kg)	268 lb (122 kg)	270 lb (122 kg)	289 lb (131 kg)	306 lb (139 kg)	372 lb (169 kg)
Motor	1.0 hp (0.75 kW)			1.5 hp (1.1 kW)			2.0 hp (1.5 kW)	
Maximum speed	113 RPM		106 RPM	95 RPM		77 RPM	70 RPM	55 RPM
Input power and required breaker	200–250 VAC, 50/60 Hz, 1 Φ, 20 A 200–250 VAC, 50/60 Hz, 3 Φ, 10 A 400–480 VAC, 50/60 Hz, 3 Φ, 10 A 575–600 VAC, 50/60 Hz, 3 Φ, 10 A			200–250 VAC, 50/60 Hz, 1 Φ, 30 A 200–250 VAC, 50/60 Hz, 3 Φ, 20 A 400–480 VAC, 50/60 Hz, 3 Φ, 10 A 575–600 VAC, 50/60 Hz, 3 Φ, 10 A				
Maximum full load current	4.4 A @ 200–250 VAC, 1 Φ 3.2 A @ 200–250 VAC, 3 Φ 1.5 A @ 400–480 VAC, 3 Φ 1.3 A @ 575–600 VAC, 3 Φ			8.7 A @ 200–250 VAC, 1 Φ 5.0 A @ 200–250 VAC, 3 Φ 2.5 A @ 400–480 VAC, 3 Φ 1.9 A @ 575–600 VAC, 3 Φ			10.7 A @ 200–250 VAC, 1 Φ 6.2 A @ 200–250 VAC, 3 Φ 3.0 A @ 400–480 VAC, 3 Φ 2.3 A @ 575–600 VAC, 3 Φ	
Minimum airfoil clearances required	2 ft (0.6 m) on sides 4 ft (1.2 m) below ceiling deck		2 ft (0.6 m) on sides 5 ft (1.5 m) below ceiling deck		2 ft (0.6 m) on sides 6 ft (1.8 m) below ceiling deck		2 ft (0.6 m) on sides 7 ft (2.1 m) below ceiling deck	
Standard mount	Small I-beam							
Mount options	Large I-beam, spanned angle iron, L-brackets, Z-purlins							
Controller	X-series, digital wall keypad							
Onboard controller	ABS/PVC based enclosure, built-in heatsink							
Gearbox	NitroSeal™ drive (STÖBER®)							
Sound level at maximum speed <sup>2</sup>	< 55 dBA							
Safety features	Airfoil retainers, hub clips, safety cables, Grade 8 bolts, fire relay (must be wired during install)							
Certifications (entire fan)	ETL/Intertek-certified to ANSI/UL 507 and CSA C22.2 No. 113 in North America, and IEC 60335-1 and IEC 60335-2-80 internationally							
Warranty <sup>3</sup>	15-year, non-prorated warranty							

<sup>1</sup> Weight does not include mount or extension tube.

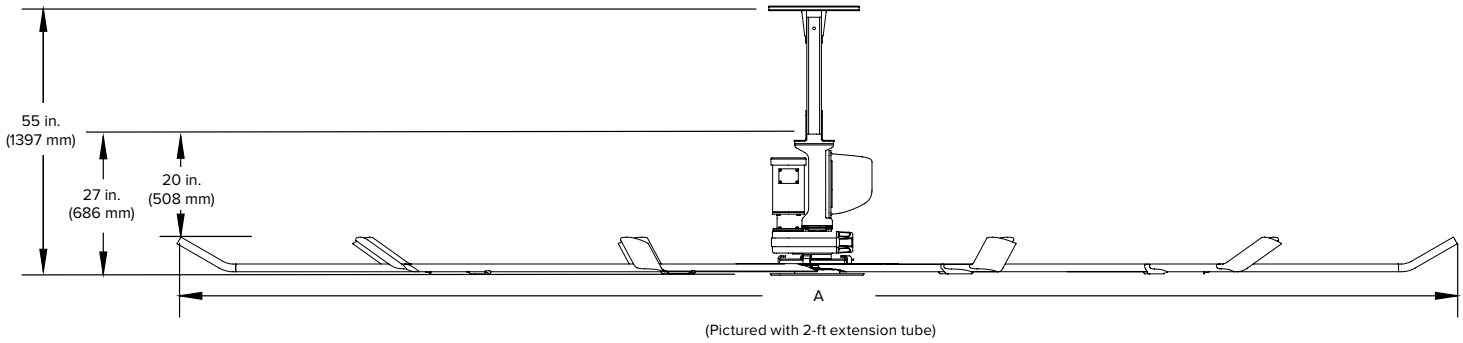
<sup>2</sup> Fans are sound tested at maximum speed in a laboratory environment. Actual results in field conditions may vary due to sound reflecting surfaces and environmental conditions.

<sup>3</sup> 15-year parts, 1-year labor warranty available in the US and Canada; certain exclusions apply. Warranties vary by country. See complete warranty for details.



# Powerfoil X2.0 Plus

## TECHNICAL SPECIFICATIONS



### Technical Specifications

<b>Model</b>	Powerfoil X2.0 Plus					
<b>Number and type of airfoils</b>	10 patented Powerfoil airfoils and winglets 10 patent-pending AirFences					
<b>Airfoil finish</b>	Mill finish aluminum					
<b>Winglet (standard color)</b>	Powerfoil plus winglets (safety yellow)					
<b>Fan diameter (A)</b>	12 ft	14 ft	16 ft	18 ft	20 ft	24 ft
<b>Fan weight<sup>1</sup></b>	247 lb (112 kg)	273 lb (124 kg)	279 lb (127 kg)	301 lb (137 kg)	355 lb (161 kg)	378 lb (171 kg)
<b>Motor</b>	1.5 hp (1.1 kW)			2.0 hp (1.5 kW)		
<b>Maximum speed</b>	95 RPM		77 RPM	70 RPM	58 RPM	48 RPM
<b>Input power and required breaker</b>	200–250 VAC, 50/60 Hz, 1 $\Phi$ , 30 A 200–250 VAC, 50/60 Hz, 3 $\Phi$ , 20 A 400–480 VAC, 50/60 Hz, 3 $\Phi$ , 10 A 575–600 VAC, 50/60 Hz, 3 $\Phi$ , 10 A					
<b>Maximum full load current</b>	8.7 A @ 200–250 VAC, 1 $\Phi$ 5.0 A @ 200–250 VAC, 3 $\Phi$ 2.5 A @ 400–480 VAC, 3 $\Phi$ 1.6 A @ 575–600 VAC, 3 $\Phi$			10.7 A @ 200–250 VAC, 1 $\Phi$ 6.2 A @ 200–250 VAC, 3 $\Phi$ 3.0 A @ 400–480 VAC, 3 $\Phi$ 2.3 A @ 575–600 VAC, 3 $\Phi$		
<b>Minimum airfoil clearances required</b>	2 ft (0.6 m) on sides 6 ft (1.8 m) below ceiling deck		2 ft (0.6 m) on sides 7 ft (2.1 m) below ceiling deck		2 ft (0.6 m) on sides 8 ft (2.4 m) below ceiling deck	
<b>Standard mount</b>	Small I-beam					
<b>Mount options</b>	Large I-beam, spanned angle iron, L-brackets, Z-purlins					
<b>Controller</b>	X-series, digital wall keyboard					
<b>Onboard controller</b>	ABS/PVC based enclosure, built-in heatsink					
<b>Gearbox</b>	NitroSeal <sup>®</sup> drive (STÖBER <sup>®</sup> )					
<b>Sound level at maximum speed<sup>2</sup></b>	< 55 dBA					
<b>Safety features</b>	Airfoil retainers, hub clips, safety cables, Grade 8 bolts, fire relay (must be wired during install)					
<b>Certifications (entire fan)</b>	ETL/Intertek-certified to ANSI/UL 507 and CSA C22.2 No. 113 in North America, and IEC 60335-1 and IEC 60335-2-80 internationally					
<b>Warranty<sup>3</sup></b>	15-year, non-prorated warranty					

<sup>1</sup> Weight does not include mount or extension tube.

<sup>2</sup> Fans are sound tested at maximum speed in a laboratory environment. Actual results in field conditions may vary due to sound reflecting surfaces and environmental conditions.

<sup>3</sup> 15-year parts, 1-year labor warranty available in the US and Canada; certain exclusions apply. Warranties vary by country. See complete warranty for details.

