

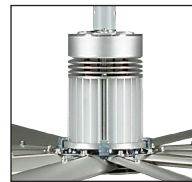
Isis incorporates the same high-quality components and aerodynamic principles as industrial Big Ass Fans, but in a smaller, more stylish package.

## HIGH PERFORMANCE MEETS HIGH STYLE

- **Airfoils and Winglets** — Eight anodized aluminum Mini-Ellipto airfoils with standard black winglets; custom colors available.
- **Motor and Components** — Gearless direct-drive motor with industrial-grade hardware and parts.
- **Extension Tube** — Standard 1 ft (0.3 meter); optional 2 to 15 ft (0.6 to 4.6 m).
- **Controller** — Slim-line wall control that easily integrates into building automation systems; fits in standard junction box.
- **Environment** — Suitable for indoor or outdoor spaces.
- **Application** — Lightweight commercial fan for flat or sloped ceilings as low as 12 feet (3.7 meters).
- **Colors** — Standard color options for Isis are silver and black. Want something different? Individualize your fan with one of our 11 classic color upgrades, or work with our design consultants to create a shade that's all your own.
- **Efficiency** — Isis works with your HVAC system to provide significant energy savings year round. In summer, the fans' cooling effect means your thermostat can be set several degrees higher. In winter, fans push the heat down from the ceiling, leading to energy savings as high as 30%.



Standard Colors



Isis Controller



Ask about custom color options. Additional fees may apply.

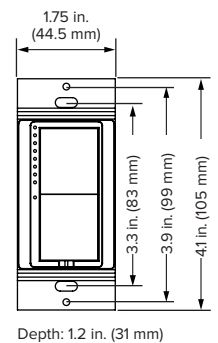
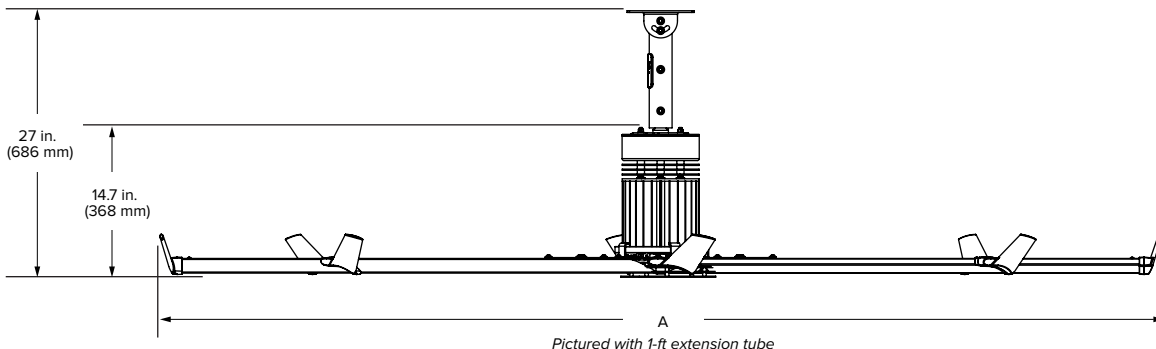
## Technical Specifications

Model number	Diameter (A)	Weight <sup>1</sup>	Max speed	Airfoil clearances <sup>2</sup>	Input power	Sound at max speed <sup>3</sup>
IS08	8 ft (2.4 m)	81 lb (37 kg)	120 RPM	2 ft (0.6 m) on sides	110–125 VAC, 1 Φ, 60 Hz, 10 A	< 35 dBA
IS10	10 ft (3 m)	88 lb (40 kg)	80 RPM	2 ft (0.6 m) below ceiling deck		

<sup>1</sup> Weight does not include mount or extension tube.

<sup>2</sup> Suitable for ceilings as low as 12 feet (3.7 meters).

<sup>3</sup> Fans are sound tested at maximum speed in a laboratory environment. Actual results in field conditions may vary due to sound reflecting surfaces and environmental conditions.



Lead times may vary. See full warranty for coverage information. Specifications subject to change without notice.



AMERICAS  
BIGASSOLUTIONS.COM  
877-244-3267

CANADA  
BIGASSOLUTIONS.COM/CA  
844-924-4277

AUSTRALIA  
BIGASSOLUTIONS.COM/AU  
1-300-244-277

SINGAPORE  
BIGASSOLUTIONS.COM/SG  
+65 6709 8500

MALAYSIA  
+603 5565 0888