



Haiku 52

The ceiling fan, reinvented

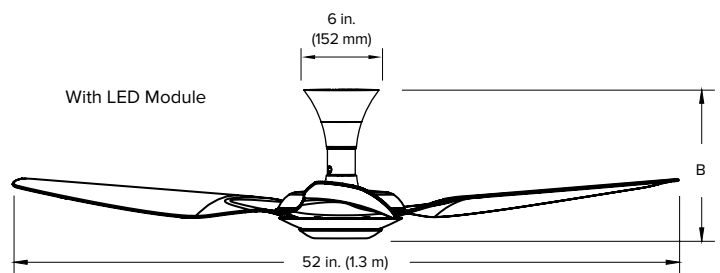
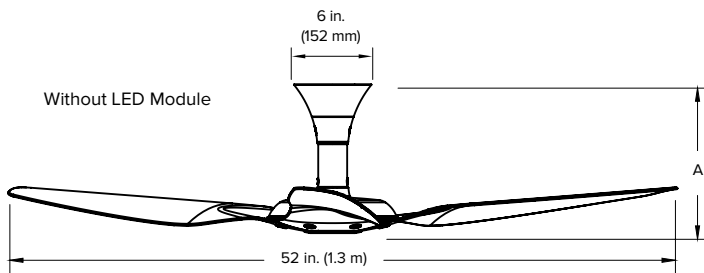
Offering unprecedented energy efficiency and silent, wobble-free operation, the 52-inch (1.3-m) Haiku® is designed to fit bedrooms and other smaller residential spaces. Sophisticated control options include up to seven speeds and special settings, such as Whoosh® mode, a proprietary feature that simulates natural breezes for better cooling.

Winner of more than 45 international design and technology awards, Haiku is handcrafted with premium materials, including sustainable Moso bamboo or a durable glass-infused matrix composite. The 52-inch (1.3-m) Haiku is everything you expect from Big Ass Fans® in a smaller package.

Features and Benefits

- Ten unique control settings, including sleep and timer
- Variety of mounting options for flat or pitched ceilings 8 ft (2.4 m) and taller
- Hand balanced for wobble-free operation at all speeds
- Optional patented LED module
- Comes with slender remote control; also available with wall control
- Finish options include caramel bamboo, cocoa bamboo, black matrix composite and white matrix composite finish





Technical Specifications

Model	Haiku Bamboo Short Mount
Model number	S3127-S0-XX-XX-03-A ¹
Fan diameter	52 in. (1.3 m)
Fan height (A)	11.8 in. (300 mm); drop tube included
Fan height (B)	12.3 in. (312 mm); drop tube included
Hanging weight	14 lb (6.4 kg) ²
Motor and assembly finishes	Caramel: white or black Cocoa: black
Aerofoil material	Bamboo
Aerofoil finishes	Caramel or Cocoa
Number of aerofoils	3
Motor type	EC motor with digital inverter drive
Power factor	>0.92
Number of fan speeds	6
Operating voltage and frequency	100–125 VAC / 200–240 VAC, 1 Φ , 50–60 Hz
IP rating	X2
RPM (min/max)	49/178 RPM
Amps (min/max)	0.2/1.0 A
Watts (min/max)	1.5/12 W
Remote control	Included
Wireless wall control	Optional
Controller features	<p>FAN: On/Off Whoosh³ mode Sleep mode Timer Speed</p> <p>LIGHT: On/Off 16 dimmable light settings</p>
Operational temperature range	32 to 104° F (0 to 40° C)
Environment	Indoor use only
Warranty (Residential)	Lifetime motor, 1 year parts ³
Warranty (Commercial)	2 years motor, 1 year parts ³

Accessories

Standard Remote



Optional Wireless Wall Control



Aerofoil Finishes



Caramel



Cocoa

Optional LED Module

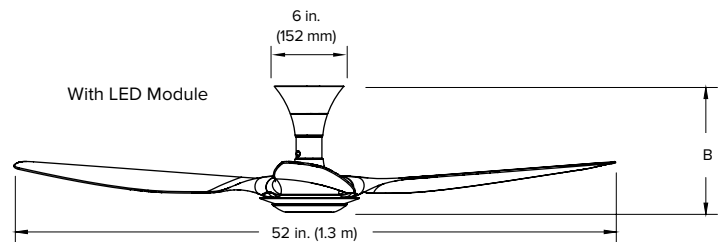
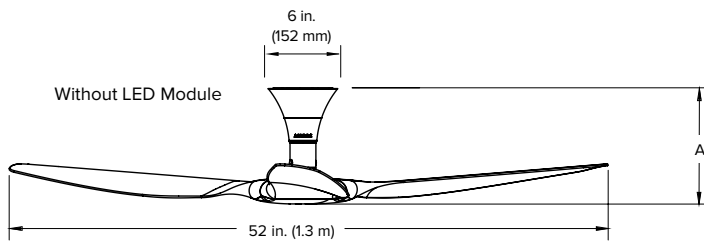


¹ XX-XX indicates placeholder numbers, which vary depending on LED option, where the fan was built, and other factors.

² The actual, precise fan weight will vary based on actual individual component weights and finishing.

³ Certain exclusions apply. See full warranty for details.





Technical Specifications

Model	Haiku Matrix Composite Short Mount
Model number	K3127-S0-XX-XX-03-A ¹
Fan diameter	52 in. (1.3 m)
Fan height (A)	11.3 in (287 mm); drop tube included
Fan height (B)	11.8 in. (300 mm); drop tube included
Hanging weight	14 lb (6.4 kg) ²
Motor and assembly finishes	Black or white
Aerofoil material	Matrix Composite
Aerofoil finishes	Black or white
Number of aerofoils	3
Motor type	EC motor with digital inverter drive
Power factor	>0.92
Number of fan speeds	6
Operating voltage and frequency	100–125 VAC / 200–240 VAC, 1 Φ , 50–60 Hz
IP rating	X2
RPM (min/max)	49/179 RPM
Amps (min/max)	0.33/1.0 A
Watts (min/max)	1.6/211 W
Remote control	Included
Wireless wall control	Optional
Controller features	<p>FAN: On/Off Whoosh³ mode Sleep mode Timer Speed</p> <p>LIGHT: On/Off 16 dimmable light settings</p>
Operational temperature range	32 to 104° F (0 to 40° C)
Environment	Indoor or covered outdoor use
Warranty (Residential)	Lifetime motor, 1 year parts ³
Warranty (Commercial)	2 years motor, 1 year parts ³

Accessories

Standard Remote



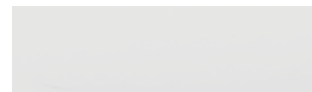
Optional Wireless Wall Control



Aerofoil Finishes



Black



White

Optional LED Module

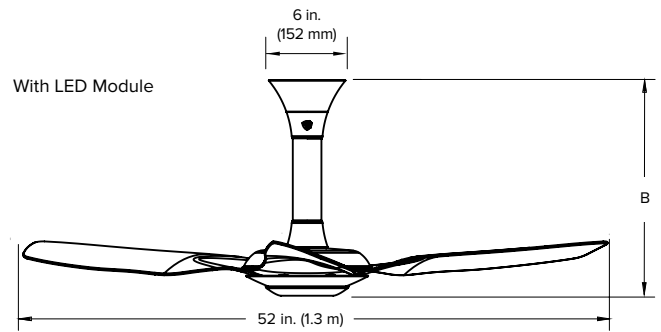
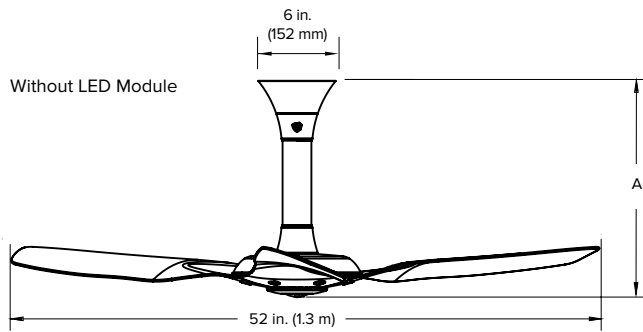


¹ XX-XX indicates placeholder numbers, which vary depending on LED option, where the fan was built, and other factors.

² The actual, precise fan weight will vary based on actual individual component weights and finishing.

³ Certain exclusions apply. See full warranty for details.





Technical Specifications

Model	Haiku Bamboo Standard Mount
Model number	S3127-A2-XX-XX-03-A ¹
Fan diameter	52 in. (1.3 m)
Fan height (A)	16.4 in. (417 mm); drop tube included
Fan height (B)	16.9 in. (429 mm); drop tube included
Hanging weight	14 lb (6.4 kg) ²
Motor and assembly finishes	Caramel: white or black Cocoa: black
Aerofoil material	Bamboo
Aerofoil finishes	Caramel or Cocoa
Number of aerofoils	3
Motor type	EC motor with digital inverter drive
Power factor	>0.92
Number of fan speeds	7
Operating voltage and frequency	100–125 VAC / 200–240 VAC, 1 Φ , 50–60 Hz
IP rating	X2
RPM (min/max)	49/201 RPM
Amps (min/max)	0.28/1.0 A
Watts (min/max)	1.4/16.7 W
Remote control	Included
Wireless wall control	Optional
Controller features	<p>FAN: On/Off Whoosh³ mode Sleep mode Timer Speed</p> <p>LIGHT: On/Off 16 dimmable light settings</p>
Operational temperature range	32 to 104° F (0 to 40° C)
Environment	Indoor use only
Warranty (Residential)	Lifetime motor, 1 year parts ³
Warranty (Commercial)	2 years motor, 1 year parts ³

Accessories

Standard Remote



Optional Wireless Wall Control



Aerofoil Finishes



Caramel



Cocoa

Optional LED Module

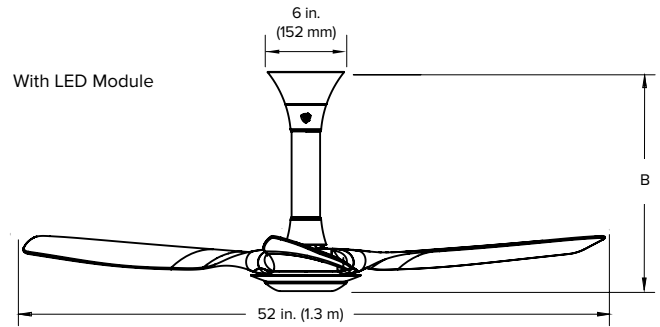
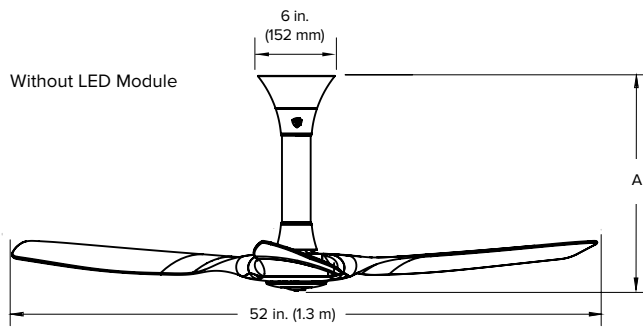


¹ XX-XX indicates placeholder numbers, which vary depending on LED option, where the fan was built, and other factors.

² The actual, precise fan weight will vary based on actual individual component weights and finishing.

³ Certain exclusions apply. See full warranty for details.





Technical Specifications

Model	Haiku Matrix Composite Standard Mount
Model number	K3127-S0-XX-XX-03-A ¹
Fan diameter	52 in. (1.3 m)
Fan height (A)	16.2 in. (412 mm); drop tube included
Fan height (B)	16.6 in. (300 mm); drop tube included
Hanging weight	14 lb (6.4 kg) ²
Motor and assembly finishes	Black or white
Aerofoil material	Matrix Composite
Aerofoil finishes	Black or white
Number of aerofoils	3
Motor type	EC motor with digital inverter drive
Power factor	>0.92
Number of fan speeds	7
Operating voltage and frequency	100–125 VAC / 200–240 VAC, 1 Φ , 50–60 Hz
IP rating	X2
RPM (min/max)	49/202 RPM
Amps (min/max)	0.26/1.0 A
Watts (min/max)	1.7/30.6 W
Remote control	Included
Wireless wall control	Optional
Controller features	<p>FAN: On/Off Whoosh[®] mode Sleep mode Timer Speed</p> <p>LIGHT: On/Off 16 dimmable light settings</p>
Operational temperature range	32 to 104° F (0 to 40° C)
Environment	Indoor or covered outdoor use
Warranty (Residential)	Lifetime motor, 1 year parts ³
Warranty (Commercial)	2 years motor, 1 year parts ³

Accessories

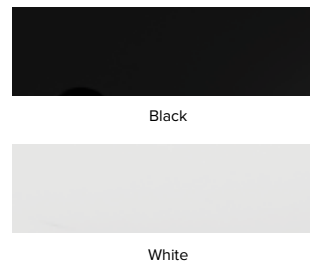
Standard Remote



Optional Wireless Wall Control



Aerofoil Finishes



Black

White

Optional LED Module

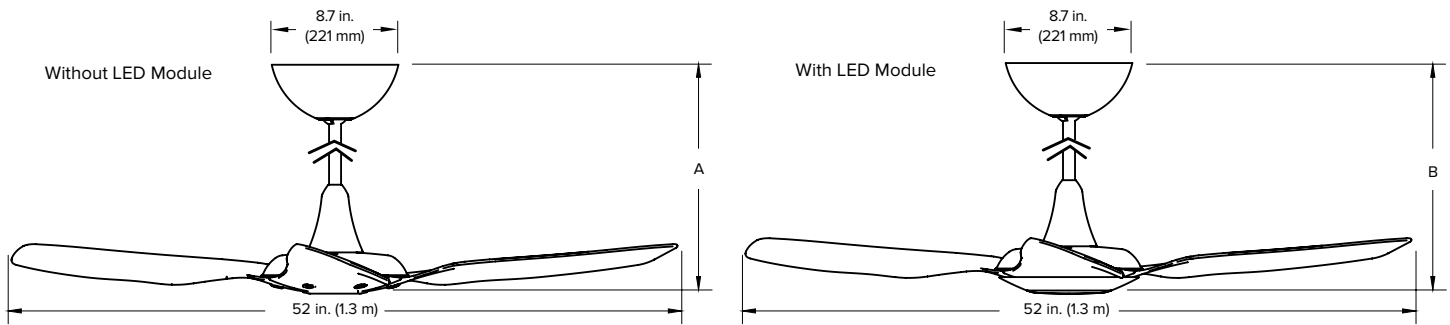


¹ XX-XX indicates placeholder numbers, which vary depending on LED option, where the fan was built, and other factors.

² The actual, precise fan weight will vary based on actual individual component weights and finishing.

³ Certain exclusions apply. See full warranty for details.





Technical Specifications

Model	Haiku Bamboo Extended Mount				
Model number	S3127-X2-XX-XX-03-A ¹				
Extension Length	7 in. (178 mm)	20 in. (508 mm)	32 in. (812.8 mm)	48 in. (1219 mm)	60 in. (1524 mm)
Fan diameter	52 in. (1.3 m)				
Fan height (A)	15.4 in. (391 mm)	28.5 in. (724 mm)	40.5 in. (1029 mm)	56.5 in. (1435 mm)	66.5 in. (1689 mm)
Fan height (B)	15.9 in. (404 mm)	29 in. (737 mm)	41 in. (1041 mm)	57 in. (1448 mm)	67 in. (1702 mm)
Hanging weight	13 lb (6 kg) ²				
Motor and assembly finishes	Caramel: white or black Cocoa: black				
Aerofoil material	Bamboo				
Aerofoil finishes	Caramel or Cocoa				
Number of aerofoils	3				
Motor type	EC motor with digital inverter drive				
Power factor	>0.92				
Number of fan speeds	7				
Operating voltage and frequency	100–125 VAC / 200–240 VAC, 1 Φ , 50–60 Hz				
IP rating	X2				
RPM (min/max)	49/202 RPM				
Amps (min/max)	0.16/1.0 A				
Watts (min/max)	1.7/18.9 W				
Remote control	Included				
Wireless wall control	Optional				
Controller features	FAN: On/Off Whoosh ³ mode Sleep mode Timer Speed LIGHT: On/Off 16 dimmable light settings				
Operational temperature range	32 to 104° F (0 to 40° C)				
Environment	Indoor use only				
Warranty (Residential)	Lifetime motor, 1 year parts ³				
Warranty (Commercial)	2 years motor, 1 year parts ³				

Accessories

Standard Remote



Optional Wireless Wall Control



Aerofoil Finishes



Caramel



Cocoa

Optional LED Module

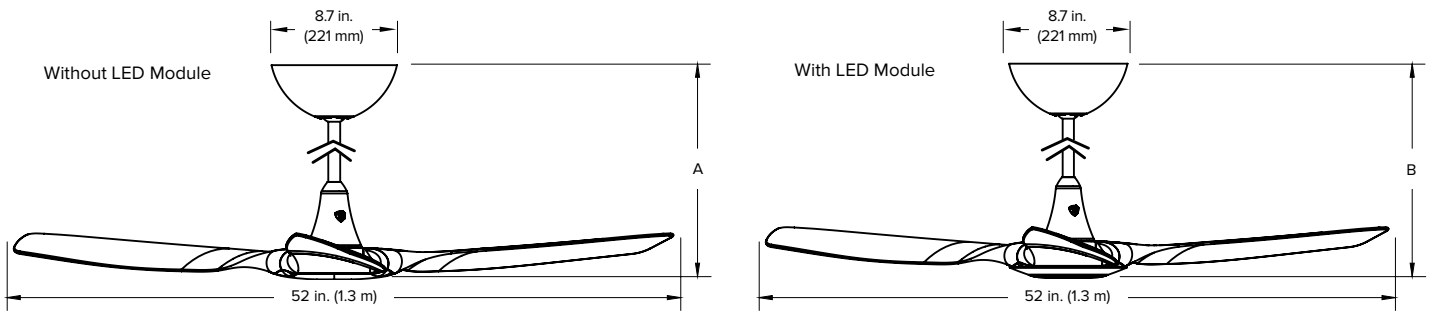


¹ XX-XX indicates placeholder numbers, which vary depending on LED option, where the fan was built, and other factors.

² The actual, precise fan weight will vary based on actual individual component weights and finishing.

³ Certain exclusions apply. See full warranty for details.





Technical Specifications

Model	Haiku Matrix Composite Extended Mount				
Model number	K3127-X2-XX-XX-03-C ¹				
Extension Length	7 in. (178 mm)	20 in. (508 mm)	32 in. (812.8 mm)	48 in. (1219 mm)	60 in. (1524 mm)
Fan diameter	52 in. (1.3 m)				
Fan height (A)	15 in. (381 mm)	28 in. (711 mm)	40 in. (1016 mm)	56 in. (1422 mm)	66 in. (1676 mm)
Fan height (B)	15.4 in. (391 mm)	28.4 in. (721 mm)	40.4 in. (1026 mm)	56.4 in. (1433 mm)	66.4 in. (1687 mm)
Hanging weight	13 lb (6 kg) ²				
Motor and assembly finishes	Black or white				
Aerofoil material	Matrix Composite				
Aerofoil finishes	Black or white				
Number of aerofoils	3				
Motor type	EC motor with digital inverter drive				
Power factor	>0.92				
Number of fan speeds	7				
Operating voltage and frequency	100–125 VAC / 200–240 VAC, 1 Φ, 50–60 Hz				
IP rating	X2				
RPM (min/max)	49/200 RPM				
Amps (min/max)	0.26/1.0 A				
Watts (min/max)	1.7/31.1 W				
Remote control	Included				
Wireless wall control	Optional				
Controller features	FAN: On/Off Whoosh ³ mode Sleep mode Timer Speed LIGHT: On/Off 16 dimmable light settings				
Operational temperature range	32 to 104° F (0 to 40° C)				
Environment	Indoor or covered outdoor use				
Warranty (Residential)	Lifetime motor, 1 year parts ³				
Warranty (Commercial)	2 years motor, 1 year parts ³				

Accessories

Standard Remote



Optional Wireless Wall Control



Aerofoil Finishes



Black



White

Optional LED Module



¹ XX-XX indicates placeholder numbers, which vary depending on LED option, where the fan was built, and other factors.

² The actual, precise fan weight will vary based on actual individual component weights and finishing.

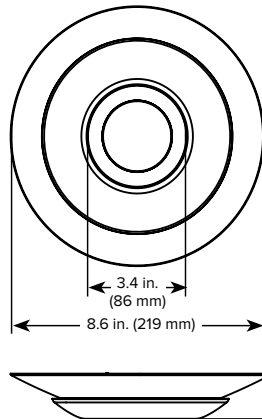
³ Certain exclusions apply. See full warranty for details.



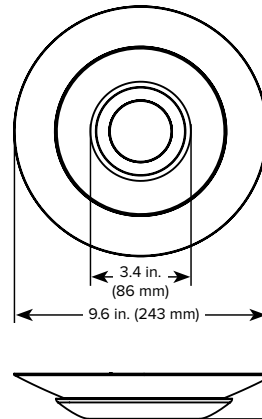
Optional Accessory:

Haiku LED Kit

TECHNICAL SPECIFICATIONS



Composite LED



Bamboo LED

Technical Specifications

Operating voltage	12 VDC / 24 VDC
Operating current	1.5 Adc (100% PWM)
Nominal input power	16.3 W
Operating temperature	32 to 104° F (0 to 40° C)
Lens diameter	5.7 in. (145 mm)
Nominal lumen output	1280 lm
Typical CR	82
Corresponding colour temperature	2700K
Dimming range	3–100%
Operating life expectancy	50,000 hours
Lens colour	Diffused clear and smoky options included
Controller	On/Off control Digital dimmer

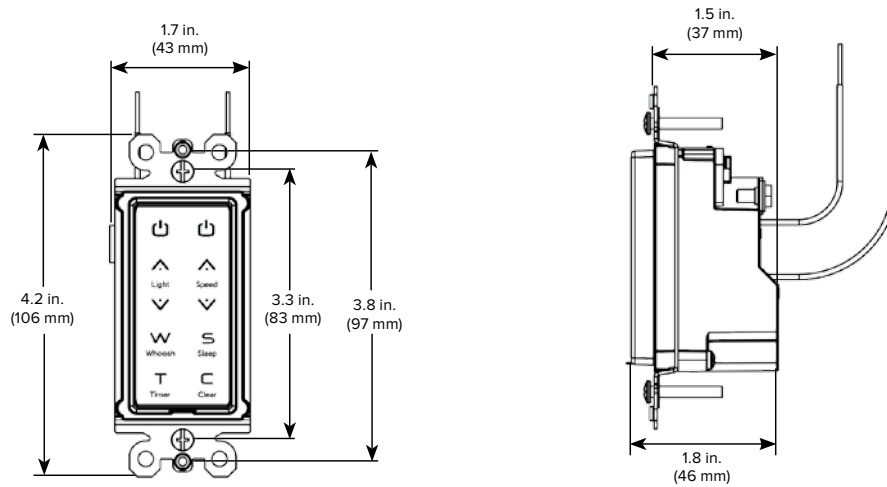


BIGASS
FANS

Optional Accessory:

Haiku Wall Controller

TECHNICAL SPECIFICATIONS



Technical Specifications







Model	005097	
Compatible model number	S3127-S0-XX-XX-03-A S3127-A2-XX-XX-03-A S3127-X2-XX-XX-03-A	K3127-S0-XX-XX-03-A K3127-A2-XX-XX-03-A K3127-X2-XX-XX-03-A
Colour	White	
RF frequency	900 MHz	
Operating range	20 ft (6.1 m) from controller to fan; successive fans must be within 20 ft (6.1 m) of each other	
Multiple fan operation*	Control up to four fans with a single controller	
Nominal input power	100–240 V	
Wall control features	FAN: Whoosh [†] mode On/Off Fan speeds: 6 or 7 (model dependent) Sleep mode Timer Reverse	
	LIGHT: On/Off 16 dimmable light settings	
User interface	Capacitive touch interface	
Status indicator	White LEDs indicate user-entered values Blue LEDs indicate fan speed and lighting level LEDs turn off after 5 seconds of inactivity	
Parts included	Wireless wall control and mounting screws RF board and antenna retainer Decora [®] wallplate	
Dimension	Fits standard Australia electrical box	

* RF board must be ordered separately for each additional fan

Wall Controller



Controller Settings

-  **LED module** with 16 settings provides the perfect level of light for any need.
-  **Speed options** from gentle heat recirculation to a cooling breeze.
-  The exclusive **Whoosh[®] mode** simulates the variations in natural airflow.
-  **Sleep mode** reduces the fan speed by one increment every hour until the lowest speed is reached.
-  In **Timer mode**, the fan runs at a set speed until the programmed time period ends.
-  The **Clear button** returns the fan to default settings.

