

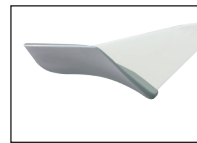
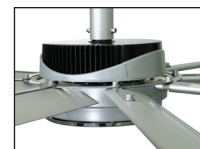
The first Big Ass Fan developed to excel both indoors and out, Essence provides the air movement needed in large spaces, from lobbies and clubs to seaside dining and open-air theaters.

THE BEST FAN FOR A BIG SPACE, INDOORS OR OUT

- **Airfoils and Winglets** — Eight anodized Mini-Ellipto airfoils with winglets (black or silver).
- **Gearless Direct Drive Motor** — White or silver; permanent magnet design reduces power consumption.
- **Extension Tube** — Standard 2 ft (0.6 m); optional 3 to 15 ft (0.9 to 4.6 m).
- **Controller** — Wired wall controller mounts in standard single-gang junction box or to wall surface; connects with 10 V CAT5 cable.
- **Environment** — Suitable for indoor and outdoor spaces¹
- **Accessories** — Wireless RF wall controller and Essence LED. See the Essence LED spec sheet for details.
- **Colors** — Standard color options for Essence are silver and black. Want something different? Individualize your fan with one of our 11 classic color upgrades, or work with our design consultants to create a shade that's all your own.
- **Efficiency** — Essence creates a cooling effect of up to 10°F (5.6°C), so you can raise your thermostat setpoint and reduce air conditioning costs without sacrificing comfort. In winter, Essence gently pushes down warm air trapped at ceilings, resulting in up to 30% savings on heating costs.



Standard Color Options



White motor housing with Silver Trim

Silver motor housing with Black Trim

Wired Wall Controller (Included)



Wireless Wall Controller (Optional)



Technical Specifications

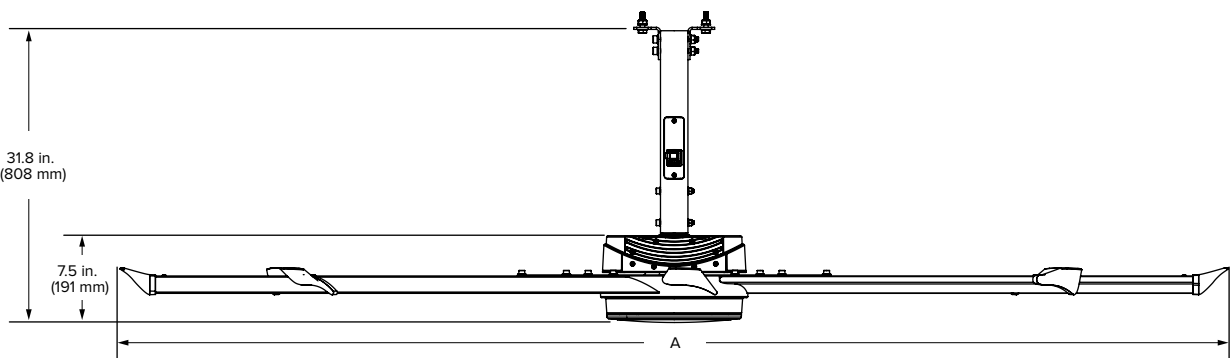
Diameter (A)	Weight ²	Max speed	Airfoil clearances ³	Input power	Sound at max speed ⁴
8 ft (2.4 m)	75 lb (34 kg)	158 RPM	2 ft (0.6 m) on sides 2 ft (0.6 m) below ceiling deck	110–125 VAC, 1 Φ, 50/60 Hz, 10 A 200–240 VAC, 1 Φ, 50/60 Hz, 10 A	< 35 dBA
10 ft (3 m)	81 lb (37 kg)	107 RPM			
12 ft (3.7 m)	88 lb (40 kg)	76 RPM			
14 ft (4.3 m)	96 lb (44 kg)	56 RPM			

¹ Not suitable for salt air environments.

² Weight does not include mount or extension tube.

³ Suitable for ceilings as low as 12 feet (3.7 meters).

⁴ Fans are sound tested at maximum speed in a laboratory environment. Actual results in field conditions may vary due to sound reflecting surfaces and environmental conditions.



Conforms to UL STD 507
Certified to CSA STD C22.2 No. 113



Lead times may vary.
See full warranty for coverage information.
Specifications subject to change without notice.
Fan height does not include the optional LED light.
Certifications listed here apply to the fan and do not include accessories.



AMERICAS
BIGASSOLUTIONS.COM
877-244-3267

CANADA
BIGASSOLUTIONS.COM/CA
844-924-4277

AUSTRALIA
BIGASSOLUTIONS.COM/AU
1-300-244-277

SINGAPORE
BIGASSOLUTIONS.COM/SG
+65 6709 8500

MALAYSIA
+603 5565 0888