

Powerfoil X LED

Put it where the sun don't shine

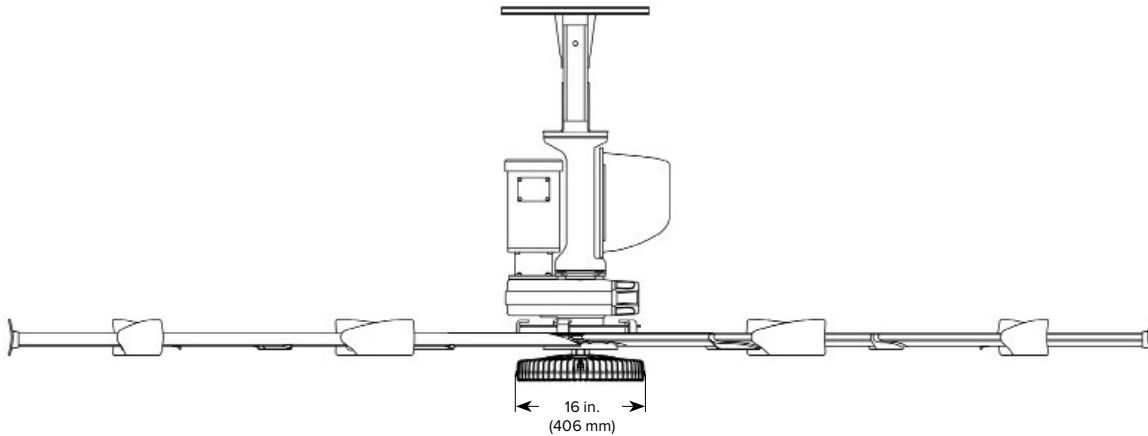


The strongest, most adaptable ceiling fan on earth is now also the brightest. Big Ass Fans' LED for Powerfoil®X and Powerfoil X2.0* fans provides unimpeded light where facility managers and building occupants need it most. This energy-efficient light seamlessly integrates with your existing building lighting grid, providing maintenance-free operation and excellent light output.

Features and benefits

- Exceptional light output and distribution
- Energy efficient for low operation cost
- Impact and vibration resistant to withstand industrial environments
- Lower LED operating temperature reduces internal heat load
- Integrates seamlessly within your existing lighting grid for optimum light and fan placement
- Engineered optics for reduced glare
- Mercury free
- Instant on/off increases productivity and reduces downtime
- 5-year full-performance warranty; LM70 rated up to 100,000 hours

**Static tube required for LED installation.*



Technical Specifications

Model numbers	PFXL-10K
Output (lumens)	10,500
Wattage	137
Voltage*	120–277 V
Color options	Signal yellow
Warranty	5 years
CRI	70
Color temperature	4000 K

*480 V available

LED available for Powerfoil X2.0 and retrofitted to existing Powerfoil X2.0 (with Static Tube Upgrade Kit) and existing Powerfoil X fans.

