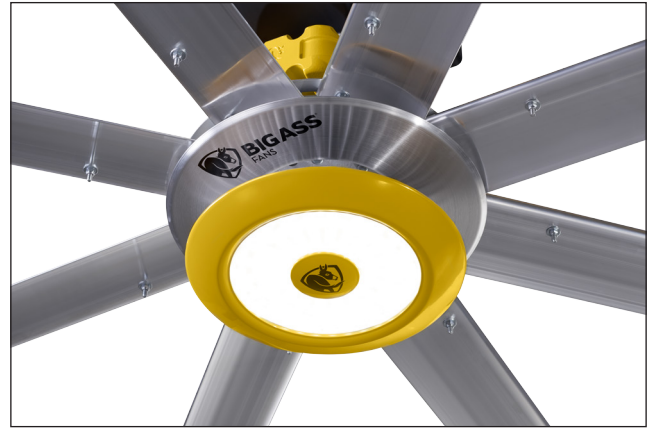


The LED light kit for Powerfoil X3.0 suits every industrial space with its variety of outputs, dimming, and lens and light distribution options.

PUT IT WHERE THE SUN DON'T SHINE

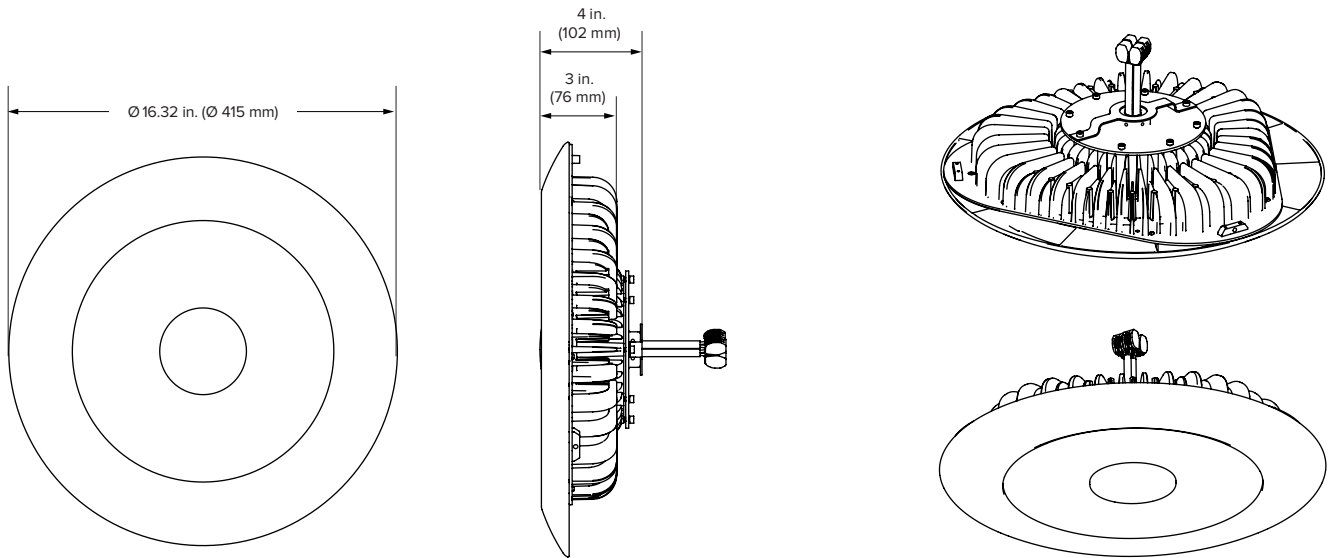
- **Installation** — Seamlessly integrates into existing building lighting grids
- **Lens** — 30°, 80°, or a 100° diffused lens options for soft, maximized spread
- **Output** — 9,050; 13,060; or 20,700 lumens
- **Lifetime** — L70 rating of up to 100,000 hours
- **Certifications and Environment** — UL-listed for wet locations; DLC-qualified
- **Color** — Safety yellow



Technical Specifications

Model	Weight (with power supply)	Output ¹	Wattage	Efficacy	Voltage ²	CRI	Color temperature ³
05217-01-090	19.2 lb (8.7 kg)	Up to 9,050 lm	90 W	100 lm/W	120–277 V	75	5700 K
05217-01-130	19.2 lb (8.7 kg)	Up to 13,060 lm	130 W	111 lm/W			
05217-01-240	26.5 lb (12 kg)	Up to 20,700 lm	220 W	94 lm/W			

¹ 10,500 lumen option available upon special request
² 347–480 V option available upon special request
³ 4200 K option available upon special request



Certified to UL 507 and CSA C22.2

Lead times may vary.
 Static tube required for LED fixture installation.
 Specifications subject to change without notice.



AMERICAS
 BIGASSOLUTIONS.COM
 877-244-3267

CANADA
 BIGASSOLUTIONS.COM/CA
 844-924-4277

AUSTRALIA
 BIGASSOLUTIONS.COM/AU
 1-300-244-277

HONG KONG
 BIGASSOLUTIONS.COM/HK
 +852 2836 5808

SINGAPORE
 BIGASSOLUTIONS.COM/SG
 +65 6709 8500

MALAYSIA
 +603 5565 0888